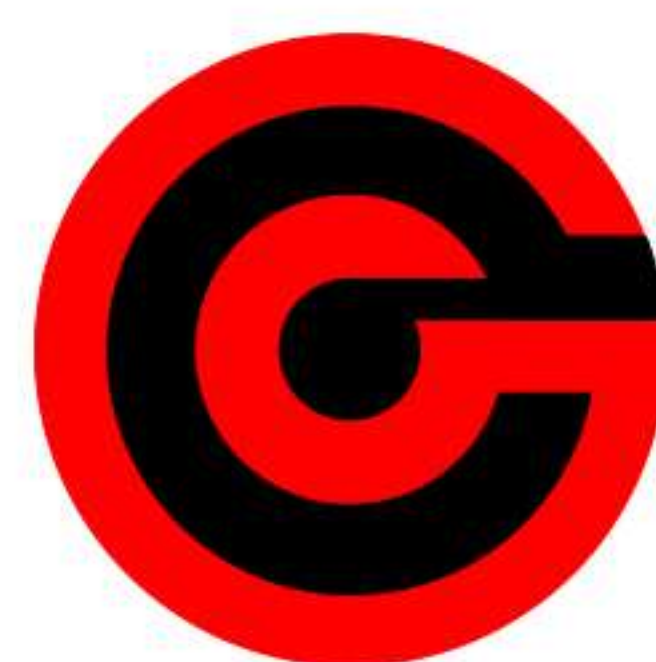
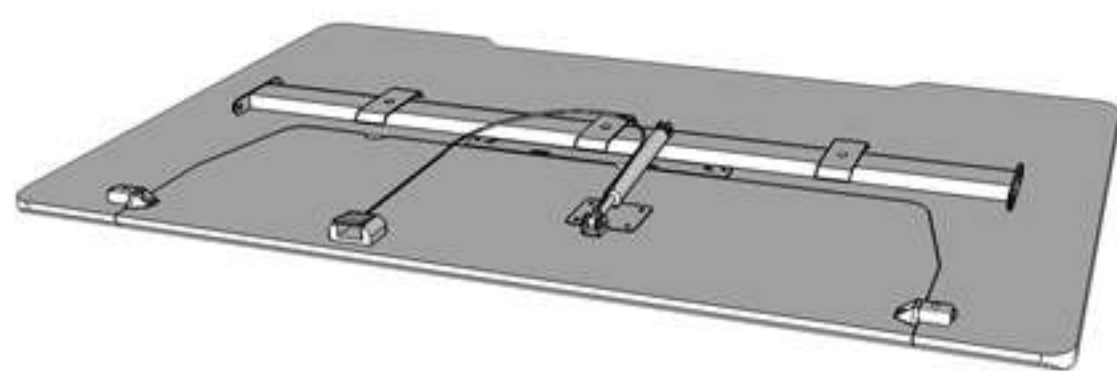


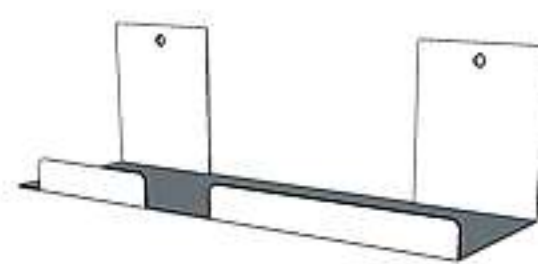
# GDTs-4



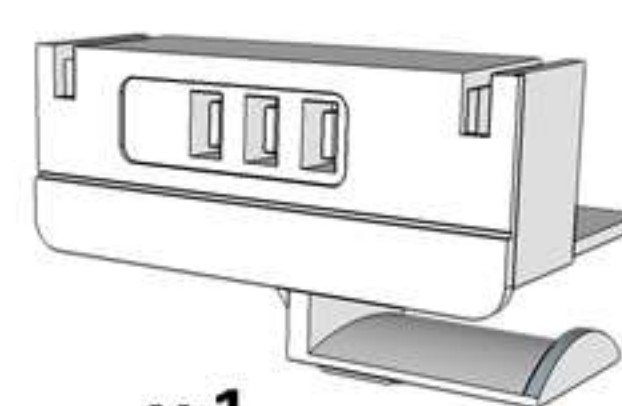
G - GO



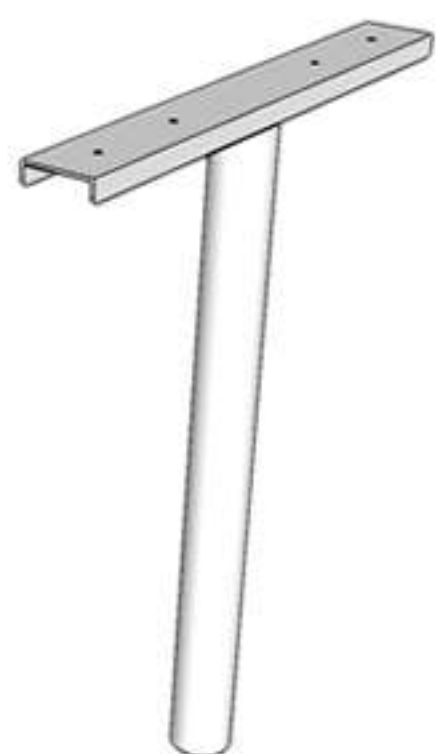
x 1



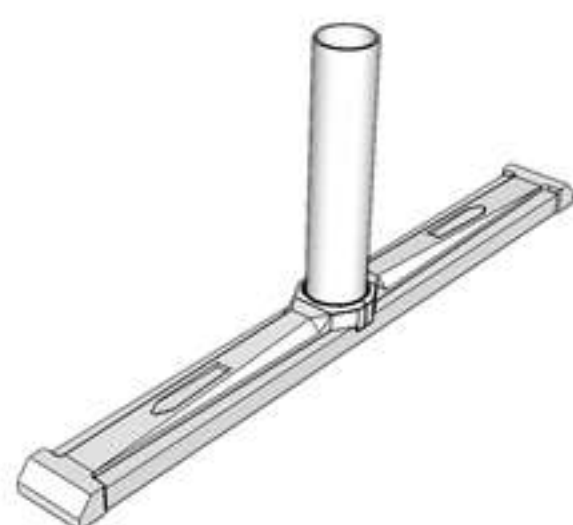
x 1



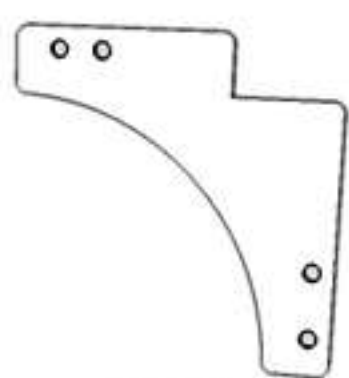
x 1



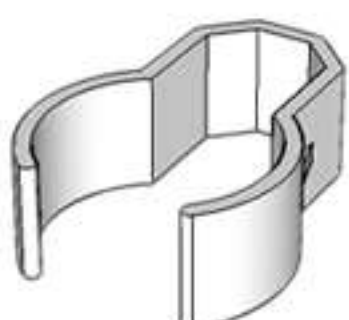
x 1 (L)  
x 1 (R)



x 2



x 2



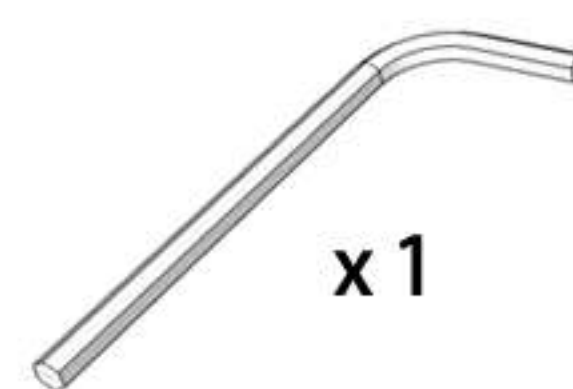
x 3



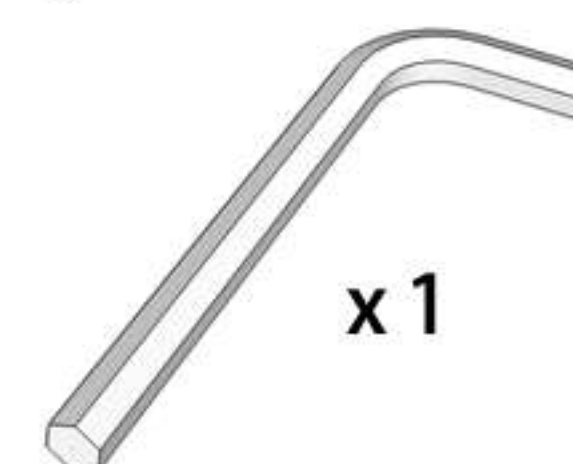
x 9



x 14



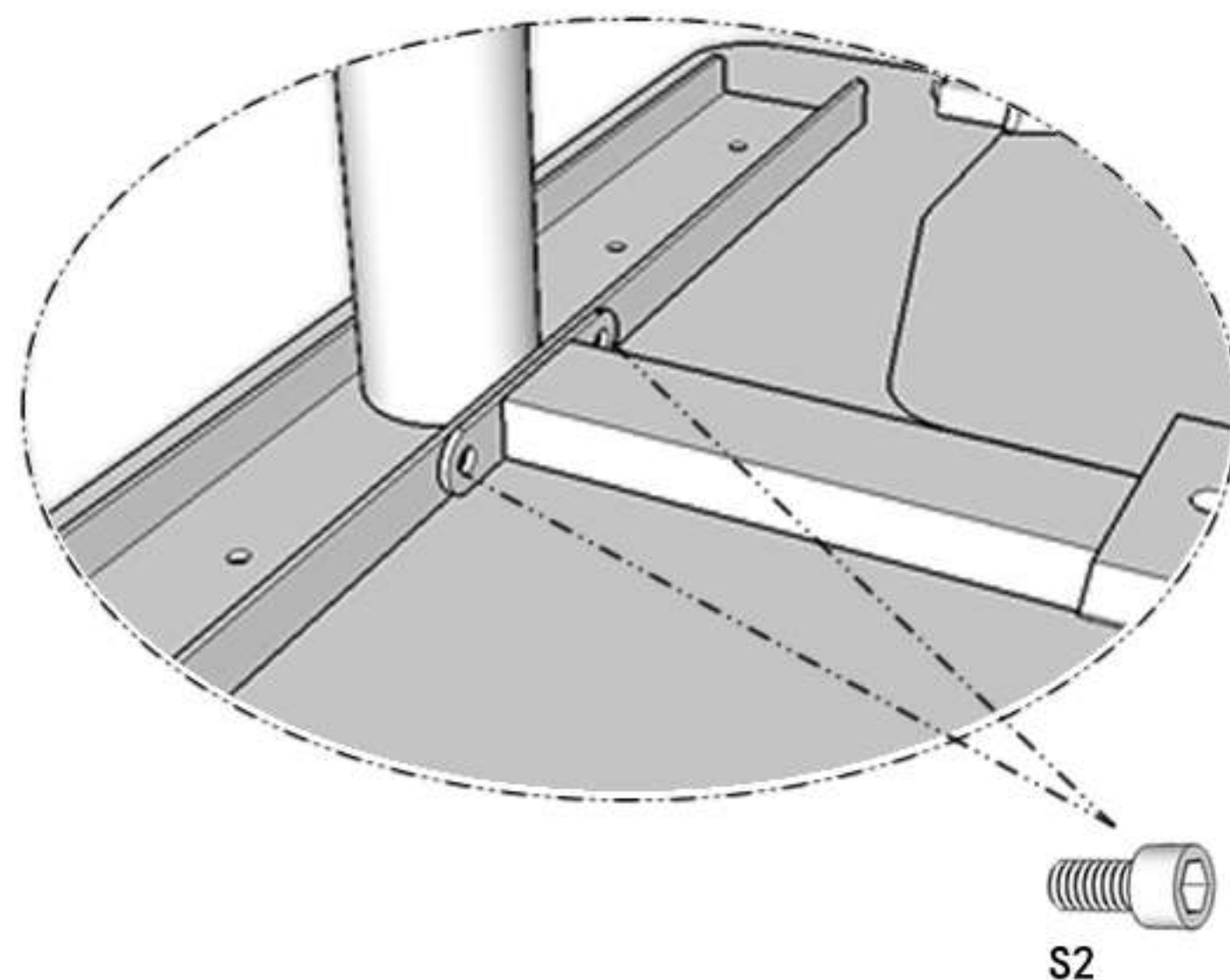
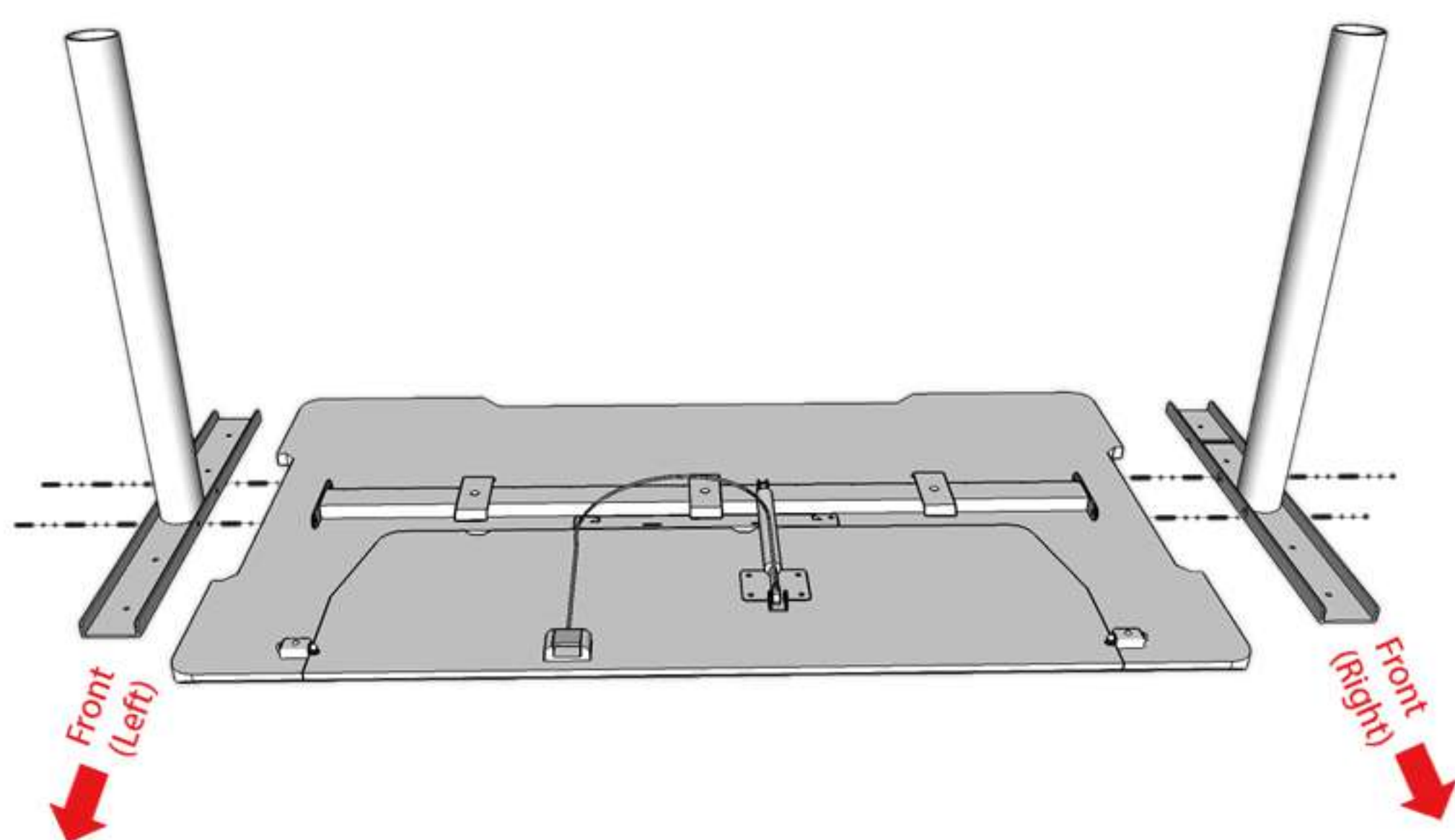
x 1



x 1

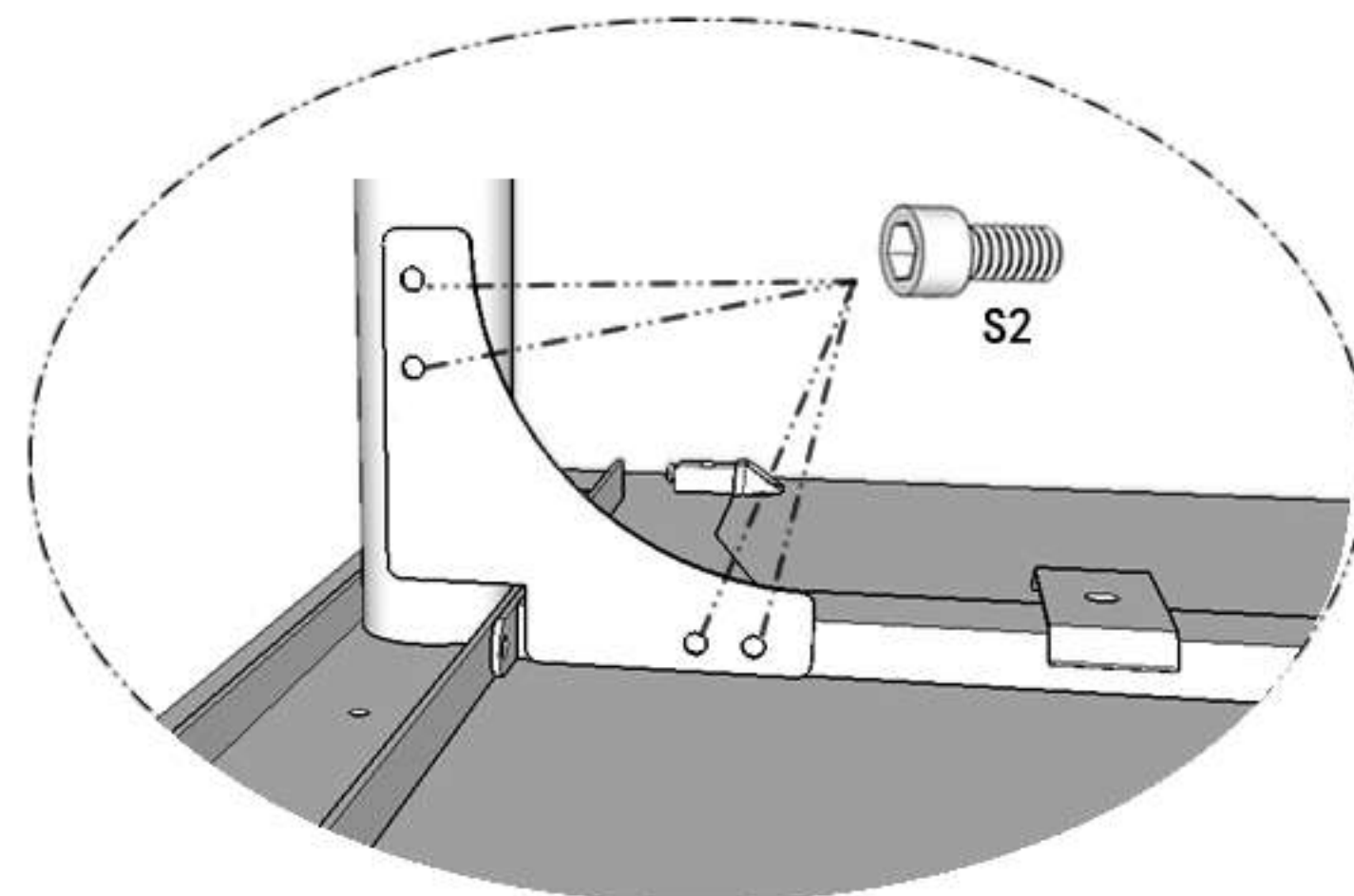
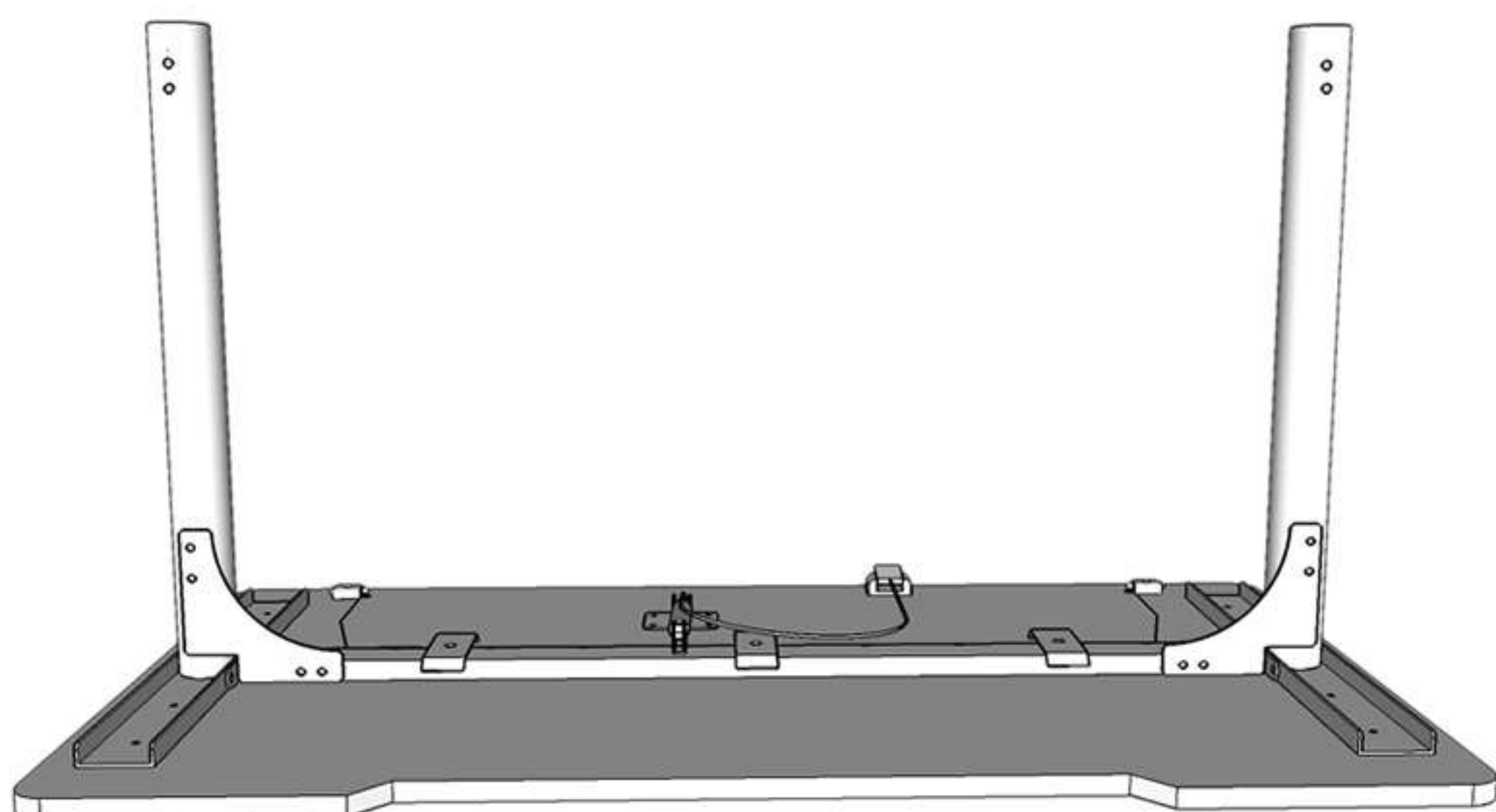
Important: Please do NOT tighten all screws until Step 3

**1**

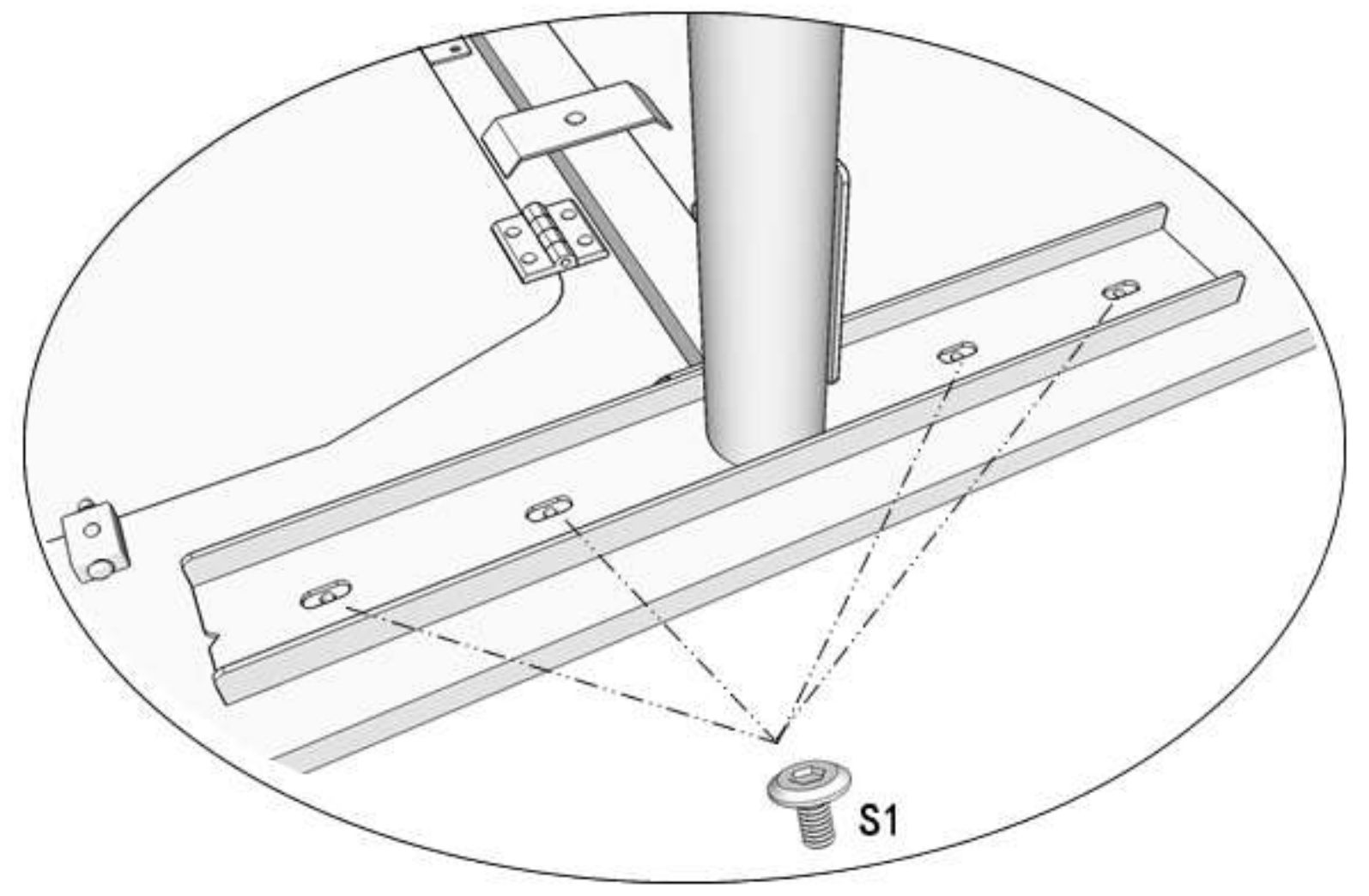
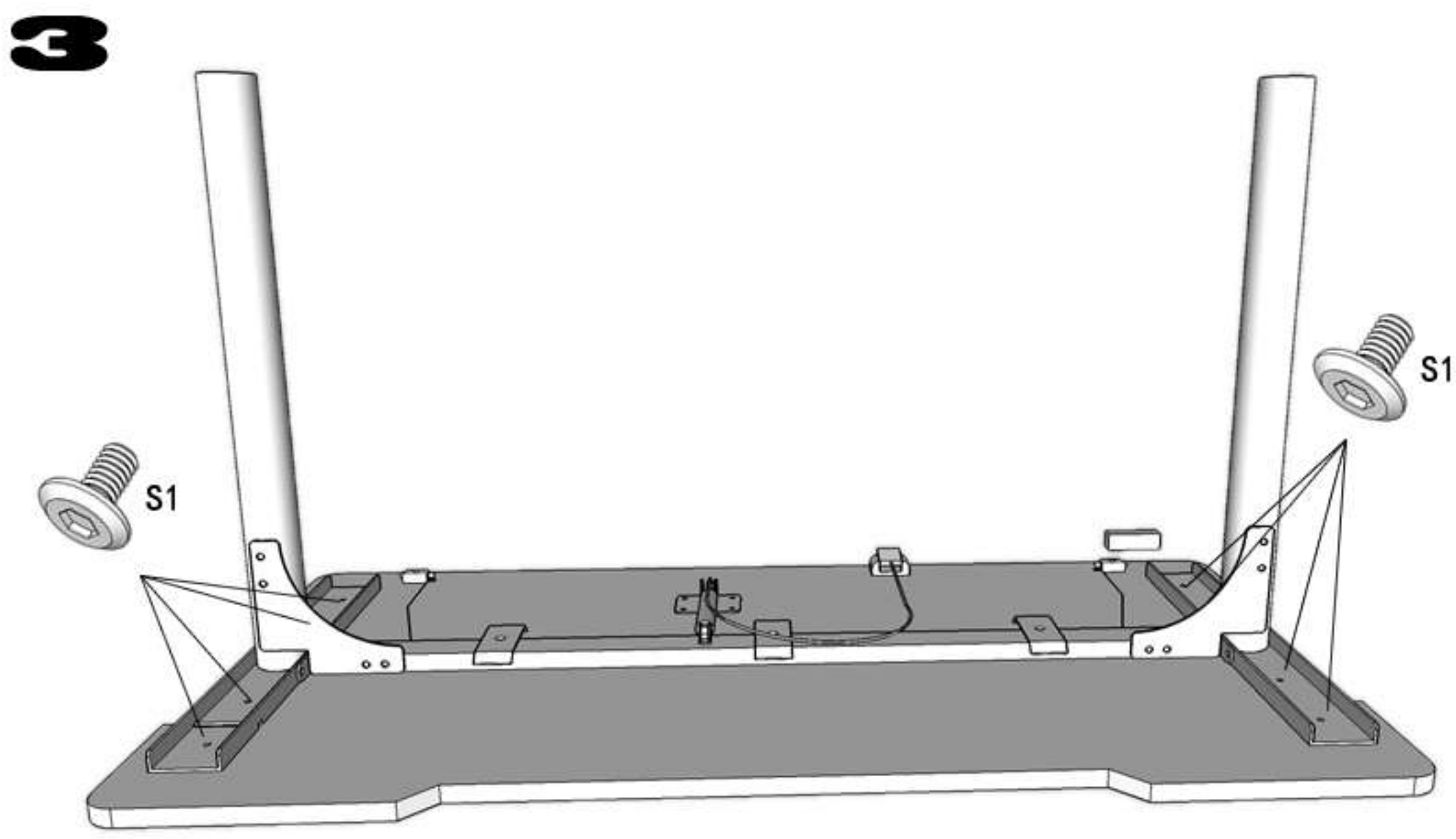


S2

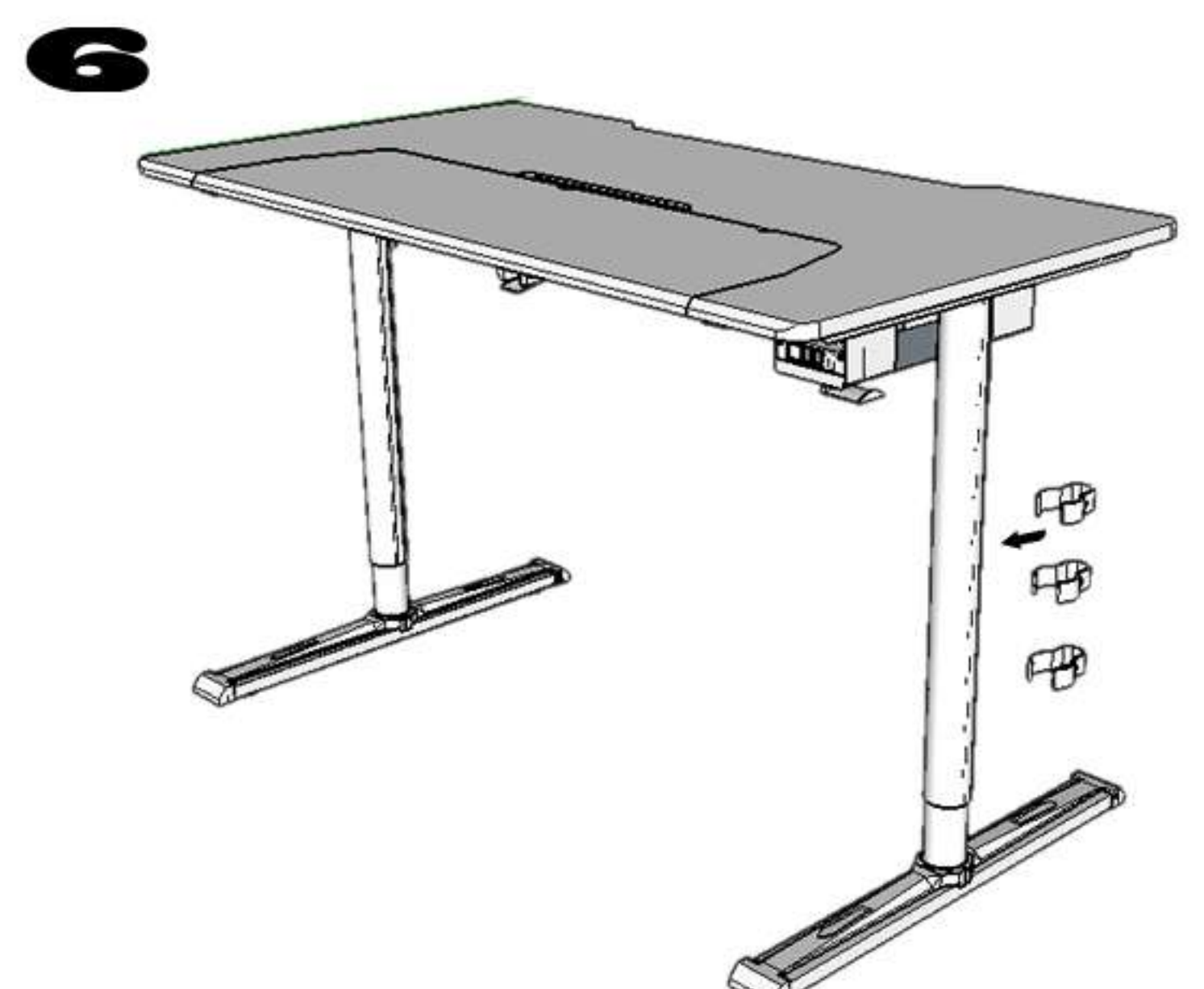
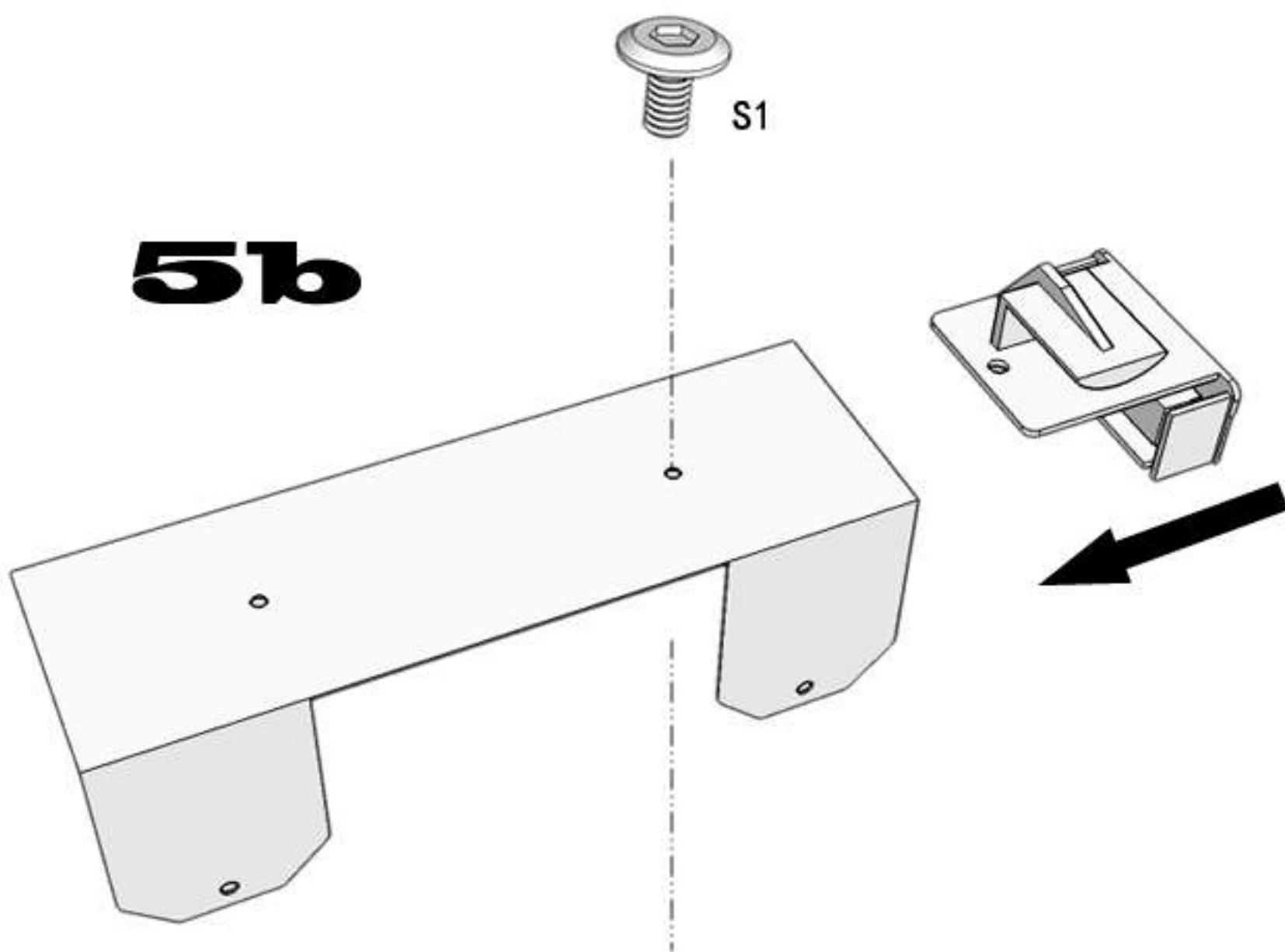
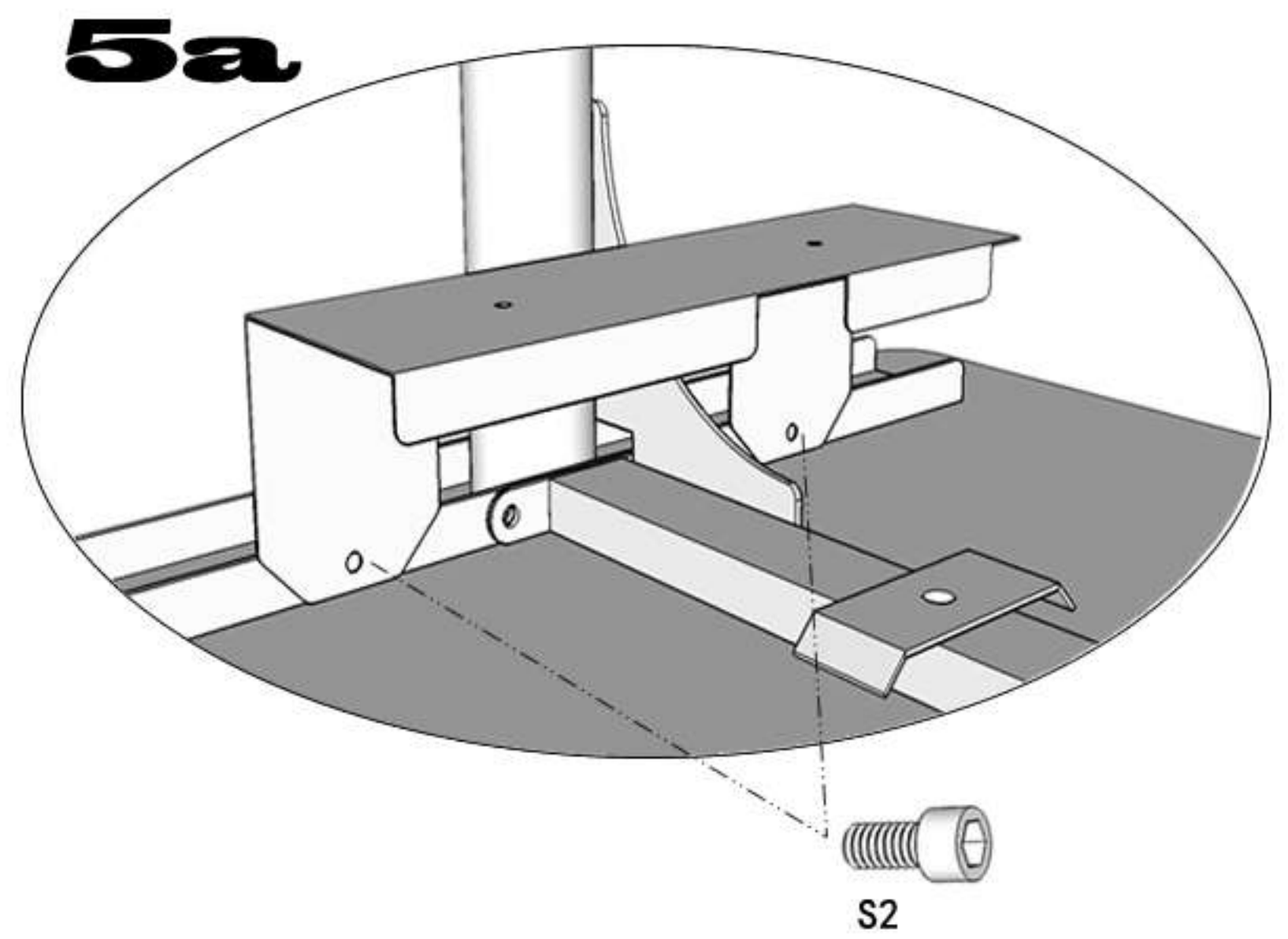
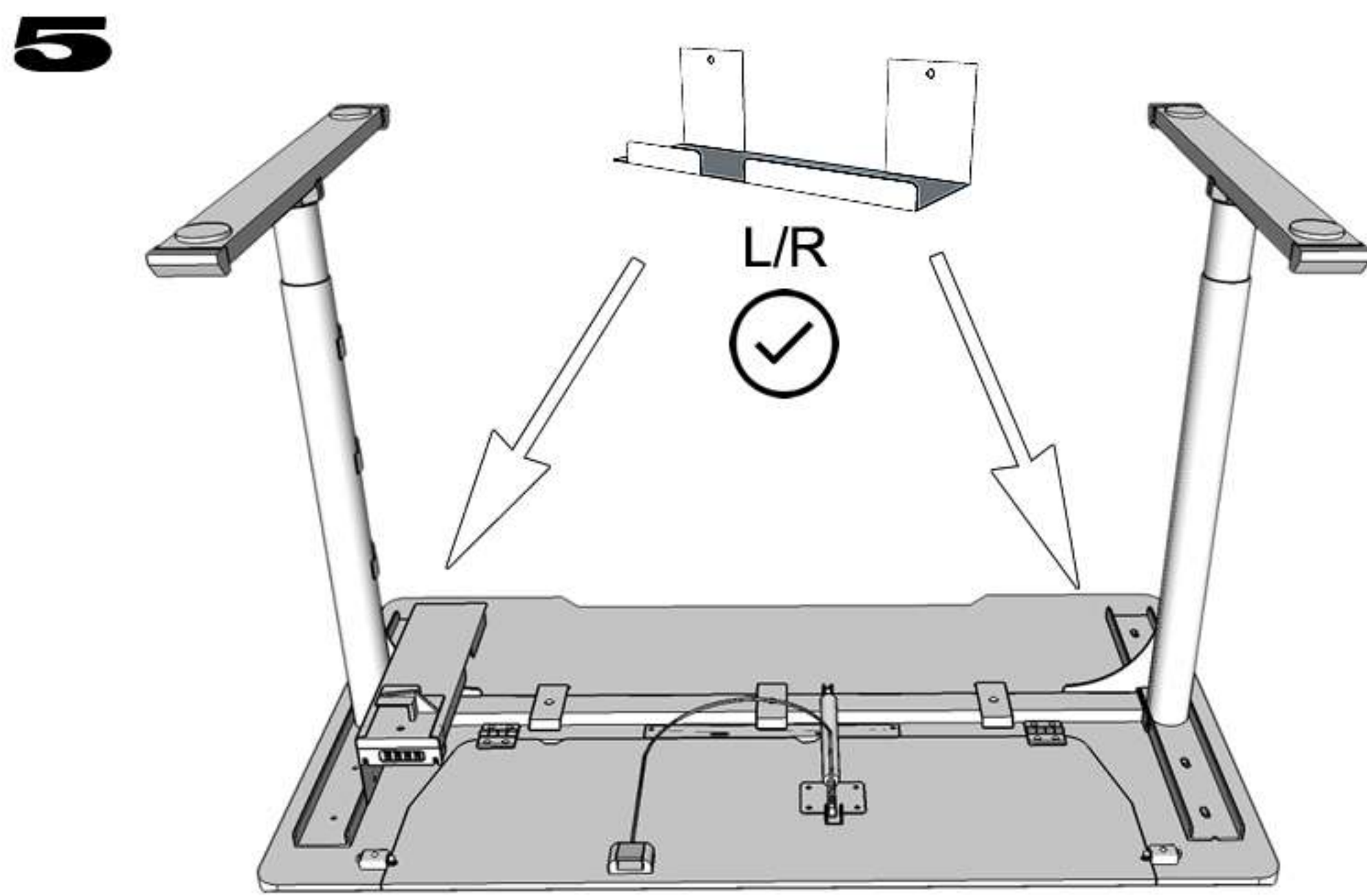
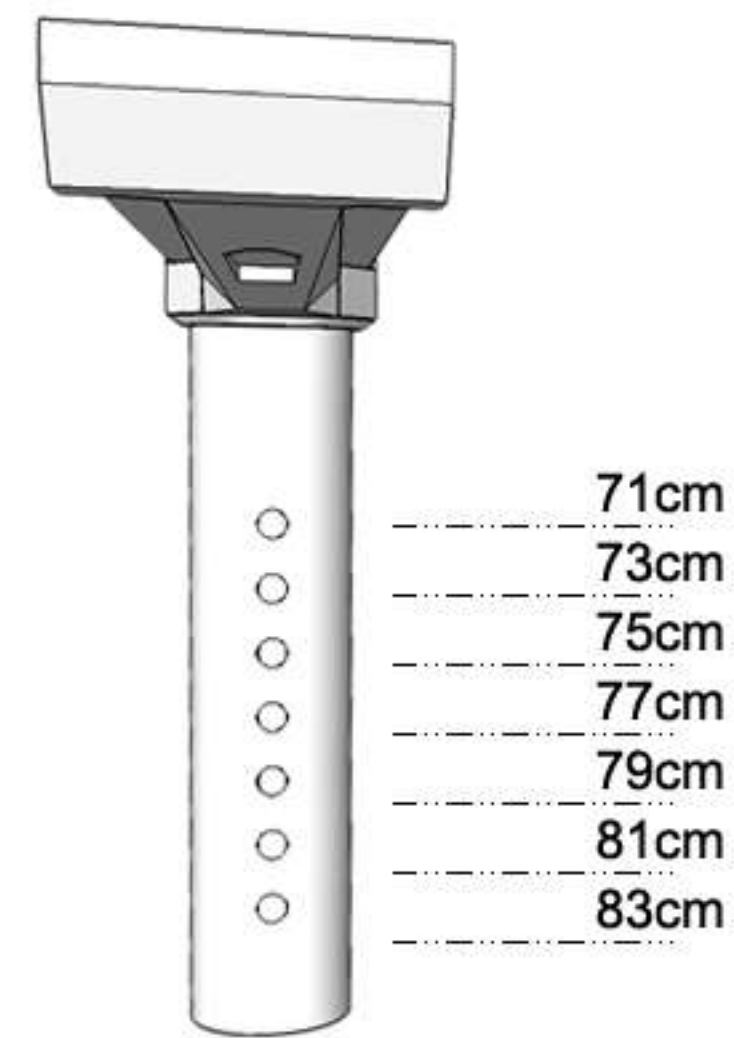
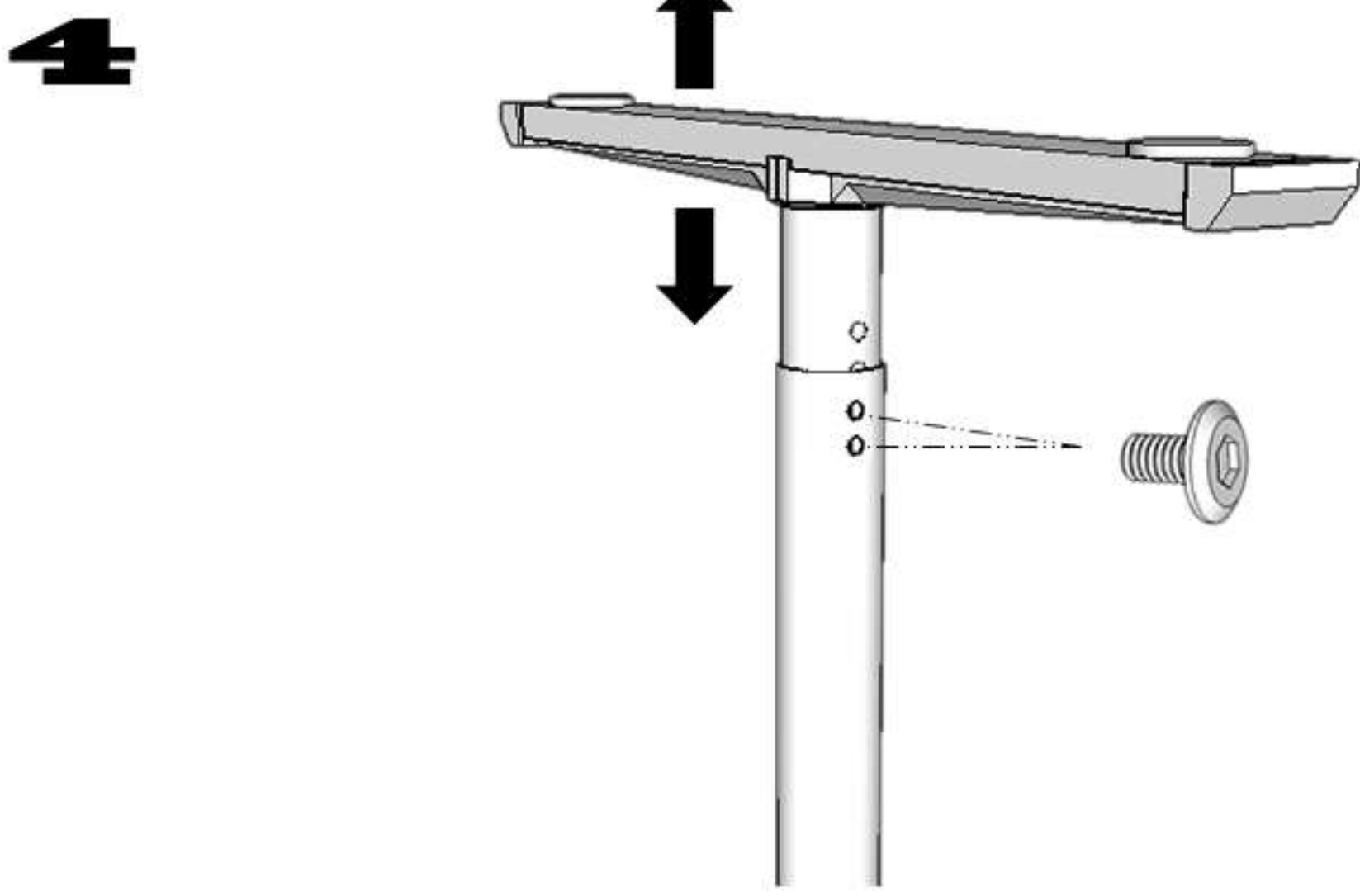
**2**

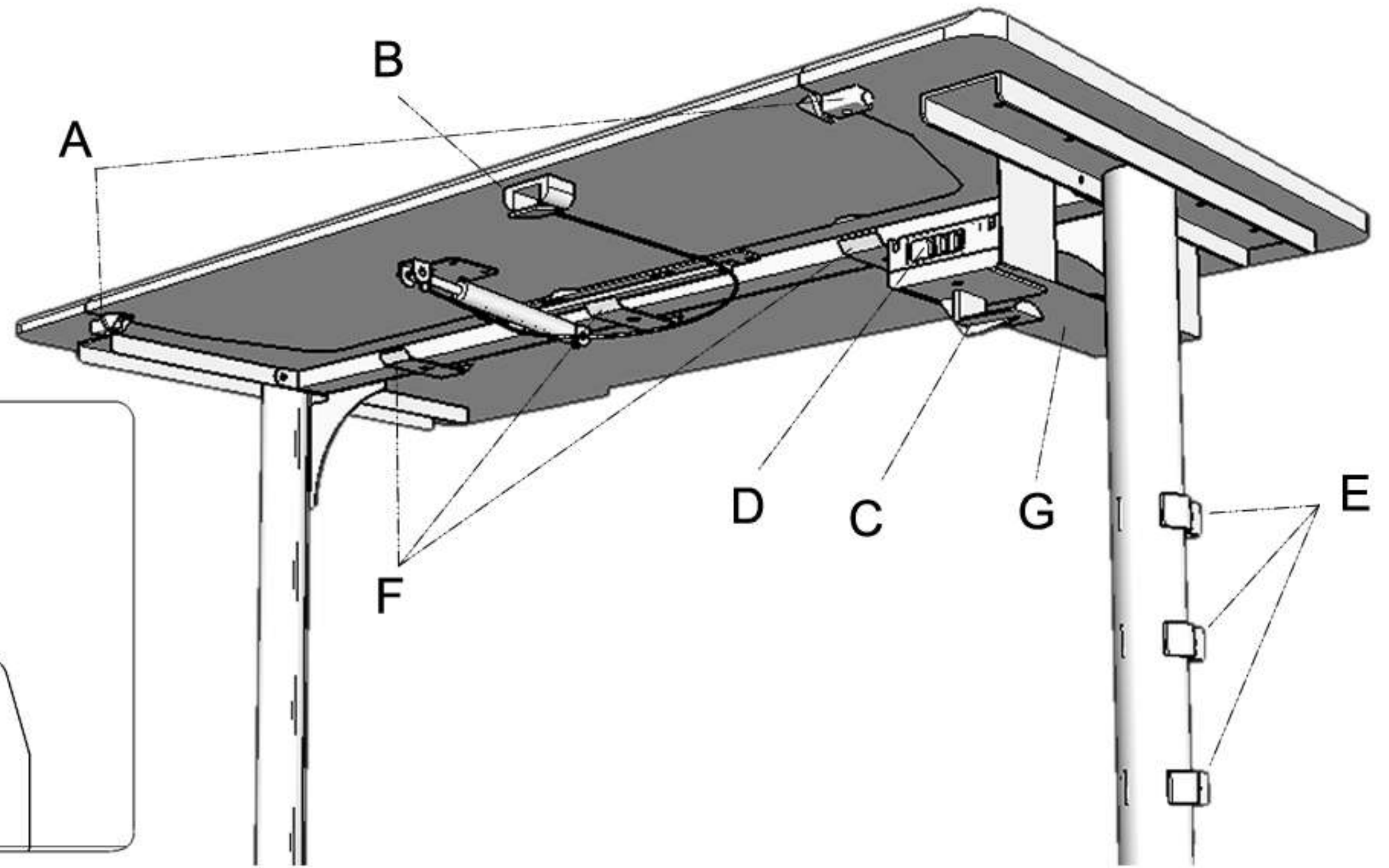
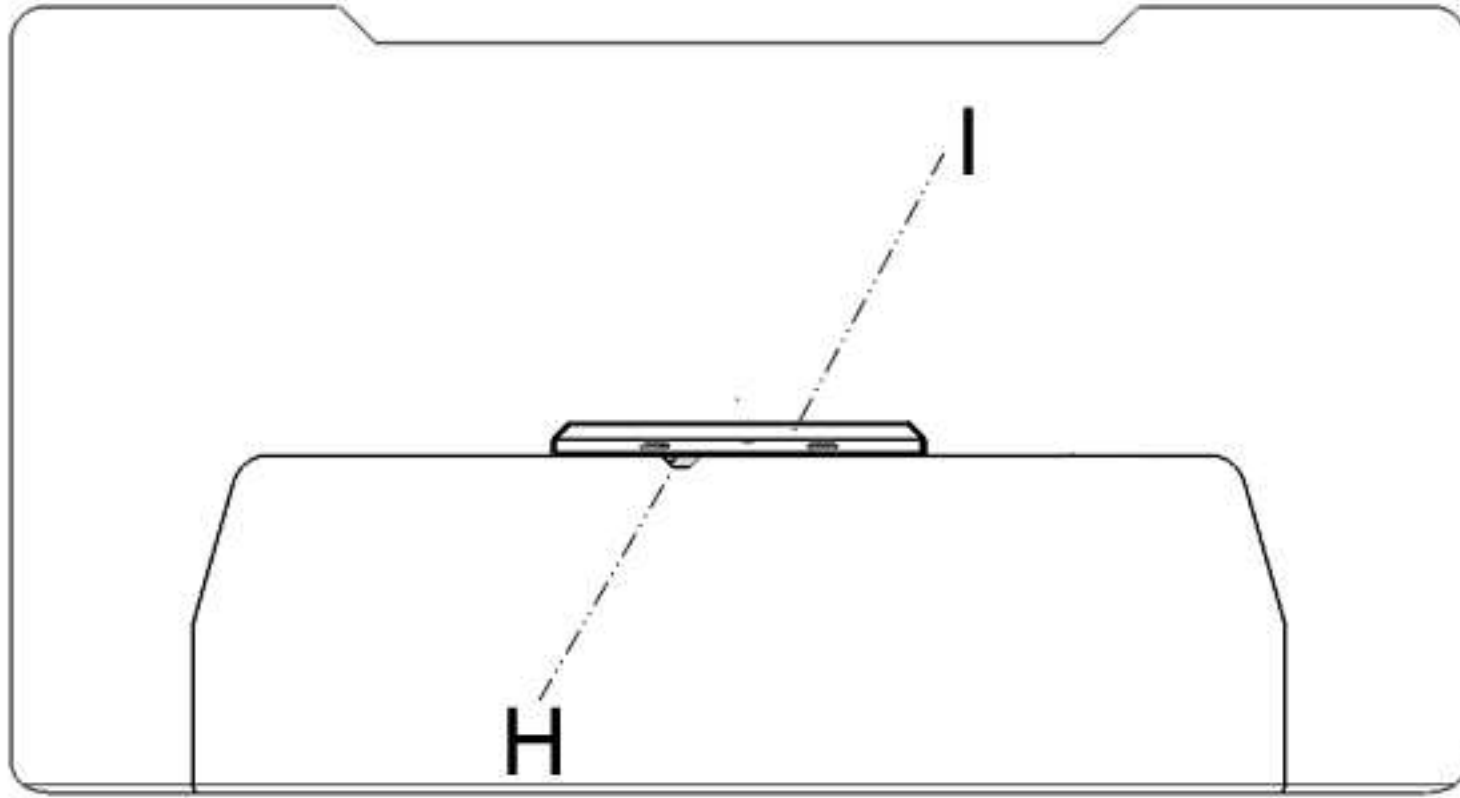


S2



Note: Tighten screws in steps 1~3 now.

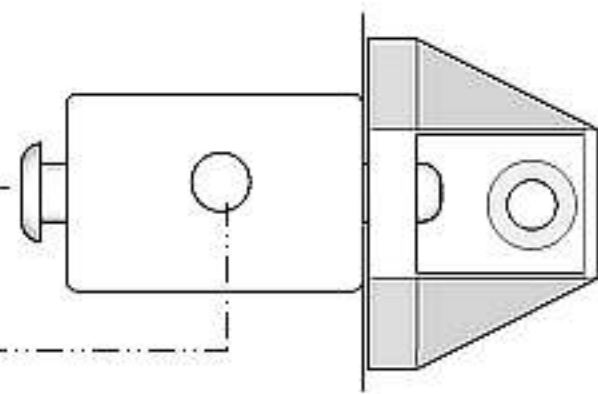




### A. 平板固定鎖

前推上鎖

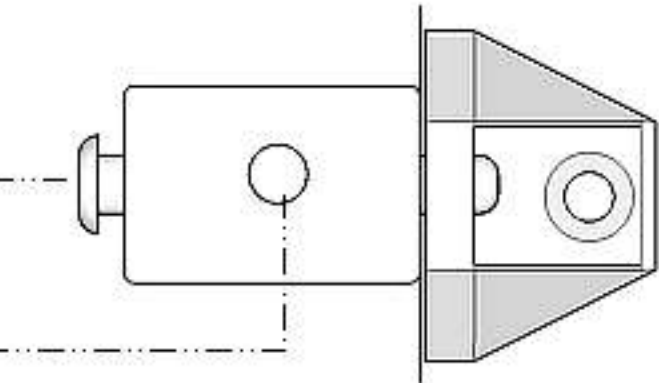
按下解鎖



### A. Flat lock

push to lock

press to unlock



### B. 斜板調節開關

解鎖平板固定鎖後，可用斜板調節開關向上扳以調節前板斜度，最大為往下15度

### B. Incline the platform

Following unlock the flat lock, the front platform can be adjusted to max 15 degree inclined.

### C. 耳機掛架

### C. Headset hanger

### D. USB分線器

需連接到電腦USB使用

### D. USB hub

to be connected to the USB of computer

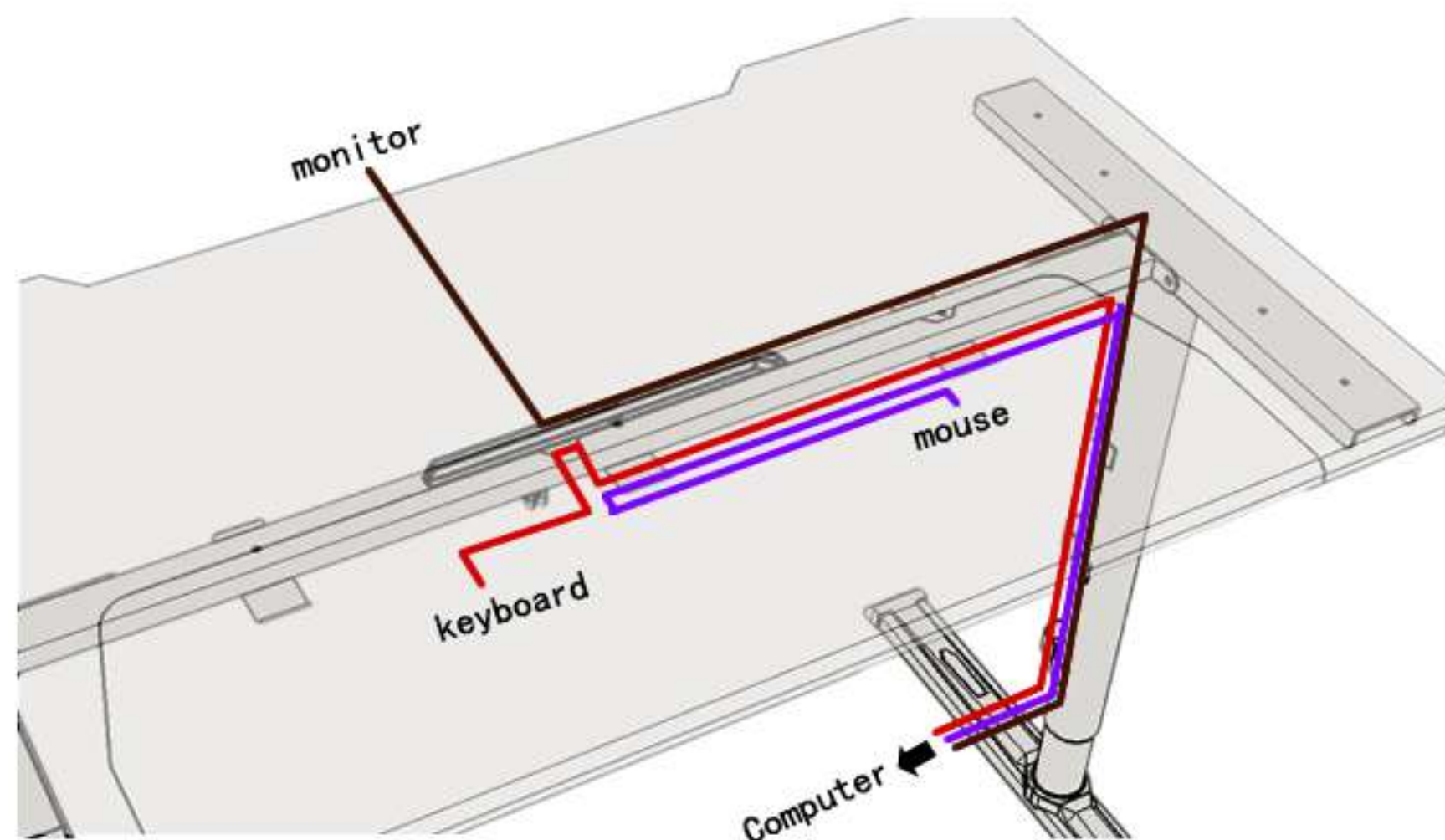
### E. 理線夾

### F. 理線勾

### G. 線槽

### H. 走線孔

引鍵盤線和鼠標線到桌底



### E. Cable clip

### F. Cable hook

### G. Cable tray

### H. Cable thru

allow cables of keyboard and mouse underneath the desk

### I. HEX RGB 燈效置物架



掃描二維碼下載燈效控制APP, 或在APP下載中心搜: LED Hue

燈效需以藍牙連接, APP下載完成後請開啟手機藍牙自動對接

手機系統需求: Android 4.4或以上; IOS10.0或以上

### I. HEX RGB lighting slot



scan to download the lighting controller app or search "LED Hue" in app store

turn on the blue tooth of your mobile for auto connection after download the APP  
system requirement: Android 4.4 or above / IOS 10.0 or above