

Assembly Instructions

## ! Safety Instructions

WARNING! FAILURE TO COMPLY WITH OR OBSERVE ALL ASSEMBLY SAFETY AND OPERATING INSTRUCTIONS AND WARNINGS REGARDING THE USE OF THIS PRODUCT MAY RESULT IN SERIOUS BODILY INJURY.

To ensure safe operation:

- ! Read and understand this manual before attempting installation / operation. This is the responsibility of the purchaser that every users is informed the contents of this manual.

Safe use of the system is possible only when the operating instructions are read completely and the instructions contained are strictly observed.

Failure to comply with instructions may result in serious damage to the system or one of its components. Persons who do not have the necessary experience or knowledge of this product must not use the product. Persons with reduced mental abilities must not use this product, unless they are under assistance by a person who is responsible for the safety of these persons.

Children must remain under close supervision to ensure that they do not play with the product.

- ! If there is visible damage on the product it must not be installed.
- ! This product is not intended for use by young children or for those persons who require supervision.
- ! Children should be supervised to ensure that they do not tamper or play with this product.

p2

## Unpacking Your EDOD



Carefully remove the packaging and then inspect all components for any shipping damage. Report any damage to the shipping company and fill out a concealed damage report.







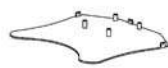











## Assembly Preparation

- ! It is recommended to install the product on a non-abrasive surface to avoid damaging the desktop.
- ! Remove all parts and components from the box.
- ! Ensure all parts and components listed on Page 4 have been included.

QUICK TIP: DO NOT over-tighten screws during installation.

p3

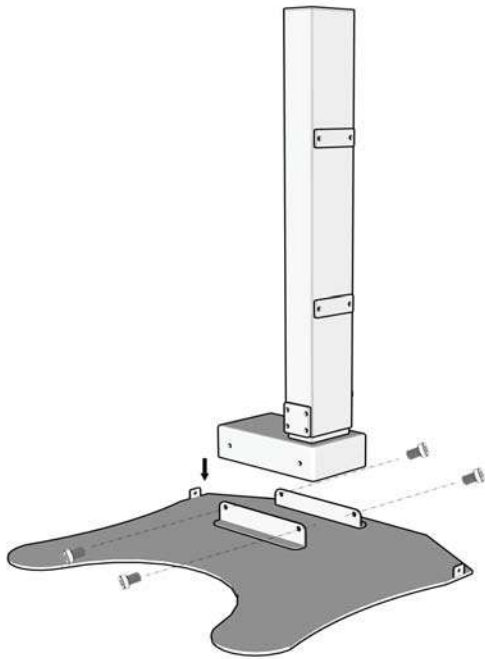
## Parts List

|                          |   |  |   |
|--------------------------|---|--|---|
| ① Lifting Column<br>1pcs |  | ⑧ Vesa Mount Bracket<br>1pcs                 |  |
| ② Center Shroud<br>1pcs  |  | ⑨ Hand Screw<br>1pcs                         |  |
| ③ Support Arm<br>1pcs    |  | ⑩ M6 x 8mm Socket<br>Head Screws 4pcs        |  |
| ④ Base<br>1pcs           |  | ⑪ M6 x 10mm Flat Head<br>Screws 4pcs         |  |
| ⑤ Platform<br>1pcs       |  | ⑫ M6 x 10mm Round<br>Head Screws 4pcs        |  |
| ⑥ Front Shroud<br>1pcs   |  | ⑬ M4 x 6mm Round<br>Head Screws 2pcs         |  |
| ⑦ Vesa Mount<br>1pcs     |  | ⑭ M4 x 16mm Button Head<br>Screws 4pcs       |  |
|                          |   | ⑮ M6 x 8mm Flat Head<br>Screws 4pcs          |  |
|                          |   | ⑯ Ø18mm x 8.3mm x 2mm<br>Plastic Spacer 1pcs |  |
|                          |   | ⑰ Adaptor<br>1pcs                            |  |
|                          |   | ⑱ Remote Control<br>1pcs                     |  |

p4

**Step 1**

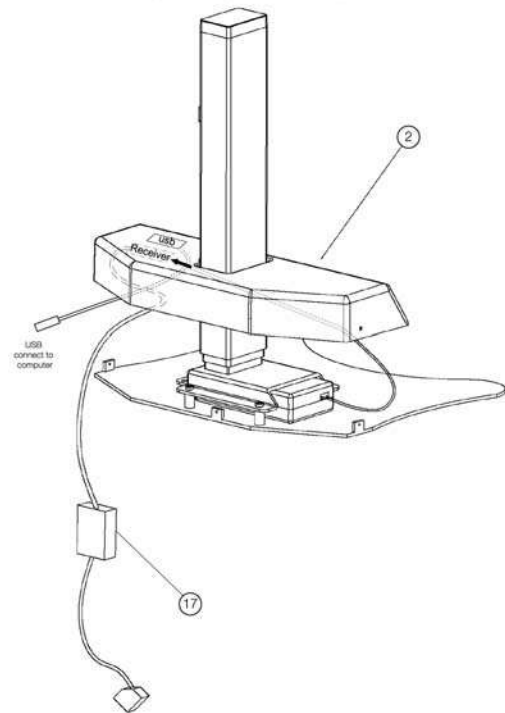
Attach the Lift Column ( Part ① ) to the Base ( Part ④ ) using four M6 x 8mm button head screws (part 10)



p5

**Step 2**

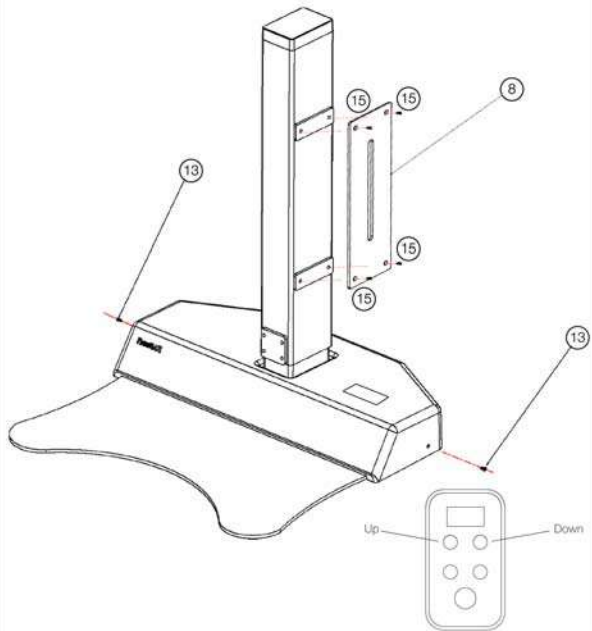
Slide the Center Shroud ( Part ② ) over the top of the Lifting Column. Connect the Lifting column and the adaptor (Part ⑰) to the receiver in the Center Shroud as shown in the figure. You may also plug the USB into your computer.



p6

**Step 3**

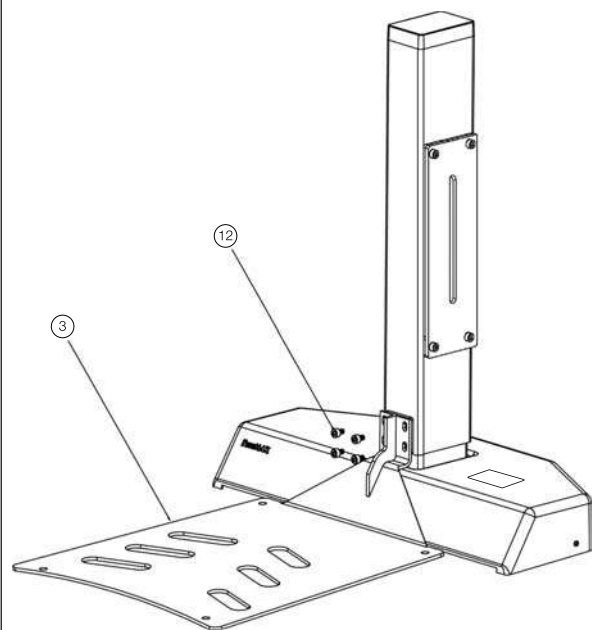
Fix the Center Shroud to the Base using two M4 x 6mm Screws ( Part ⑬ ). Attach the Vesa Mount Bracket ( Part ⑧ ) to the Lifting Column using for M6 x 8mm Flat Head Screws ( Part ⑮ ).  
Reset the system: insert the bottom cell into remote control, press and hold both "up" and "down" button until display appear "RST", then press the "down" key until lifting column reaches to the bottom. The display should appear "000". The reset is completed.



p7

**Step 4**

Attach the Support Arm ( Part ③ ) to the Lifting Column using screws of Part ⑫ .



p8

**Step 5**

Note:  
Vesa Mount ( Part 7 ):  
The screw here is to control tilt resistance of monitor.  
More resistant to carry heavier monitor.

Mount your vesa-compatible monitor to the Vesa Mount ( Part 7 ) using the four M4-16mm ( Part 14 ) Screws .

p9

**Step 6**

Insert the Vesa Mount between the Lifting Column & Vesa Mount Bracket, then fix the height of Vesa Mount using the Hand Screw and Washer. ( Part 9 & Part 16 )

p10

**Step 7**

Attach the Platform ( Part 5 ) on the Support Arm using five M6-10mm Screws ( Part 11 ).

p11

**Step 8**

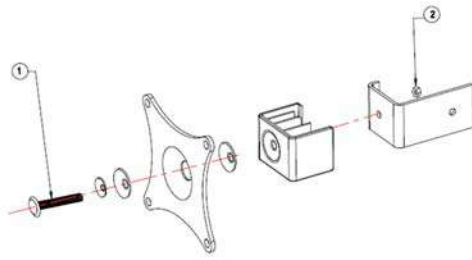
Slide the Front Shroud ( Part 6 ) over the Support Arm. The assemble procedures are completed. EDOD is ready to use.

p12

## Accessories

### ① Longer Plastic Spacer

In case larger space between monitor and lifting column is required for plug-in, you can modify to the longer plastic spacer as shown in figure below.



① Screw M8\*50mm-1PCS

② Nut M8\*8mm-1PCS

③ Longer Plastic Spacer

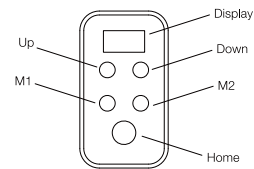
### ② Cable management

Using M4 screws to fix on the back of the lifting column for managing the cables.



p13

## Use of Remote Control



Display: 00.0~50.0 height in cm

Up: use to raise the platform

Down: use to descend the platform

M1: memory storage

M2: memory storage

Home: use to descend the platform to bottom

Battery using: bottom cell CR2032

### Pairing:

Pairing is required for first time using, or after disconnection of power. Unplug the power cable. Press and hold the home button until "cod" showing on display then plug the power cable within 3s. Pairing is success if display shows "000". If it doesn't, re-do the pairing procedures.

### Reset Procedure:

Remove the support arm first. Then hold the "up" and "down" button until "RST" on display. Now press the down button to lower the column until reaches the bottom.

### Memory Setting:

1. Use "up" and "down" key to a desired height.

2. Press "M1" or "M2" and "home" key until display appears CF1/CF2

## Troubleshooting

If experiencing no response for raise or lower:

1. Check battery of remote control

2. Reset the system. Please follow the pairing and reset procedures in Use of Remote Control in the above section.

### Error Message

OL: overloaded. Please remove the loading on the platform. Unplug the power cord for 20s and replug.

OH: overheated. Please stop operate the product for 18 mins.

Er: Internal error. Please reset the system.

p14

## Maintenance

Only clean the product with mild household cleaning agent. Corrosive or industrial solvent may remove the outer paint of the product.

p15